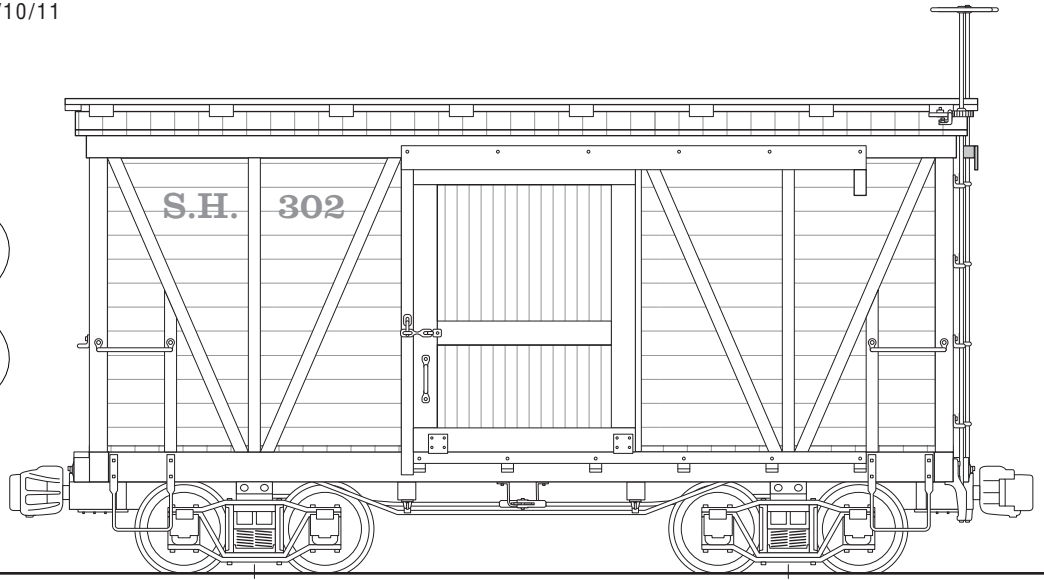
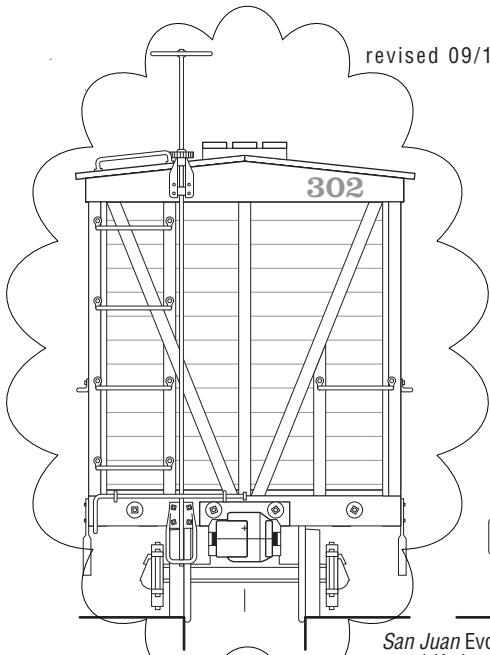
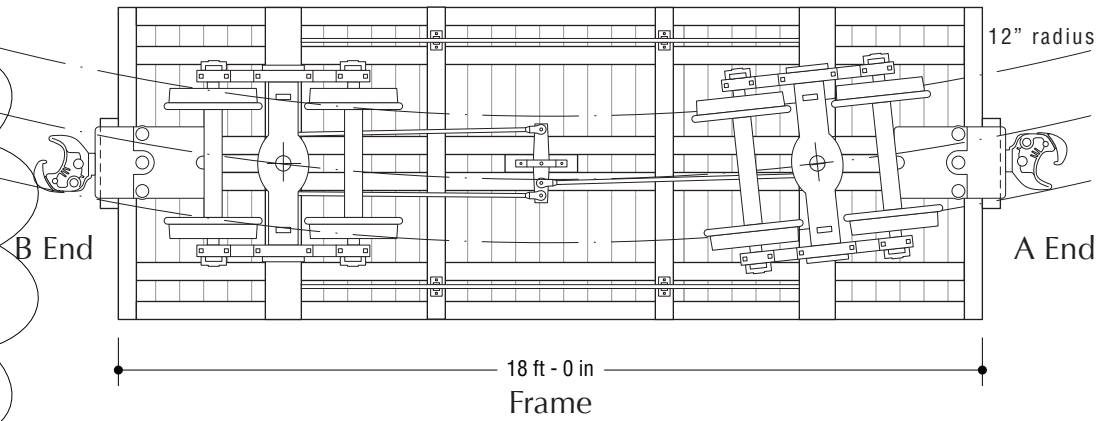
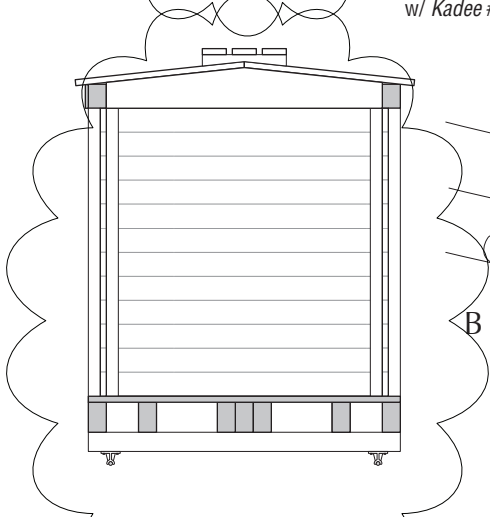


revised 09/10/11



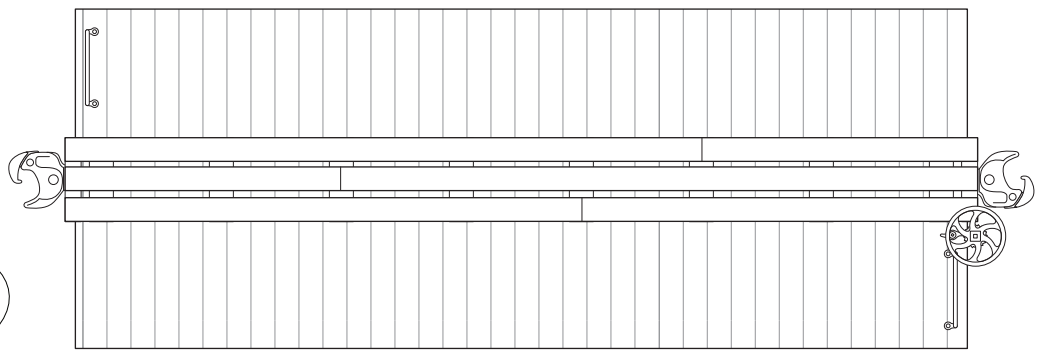
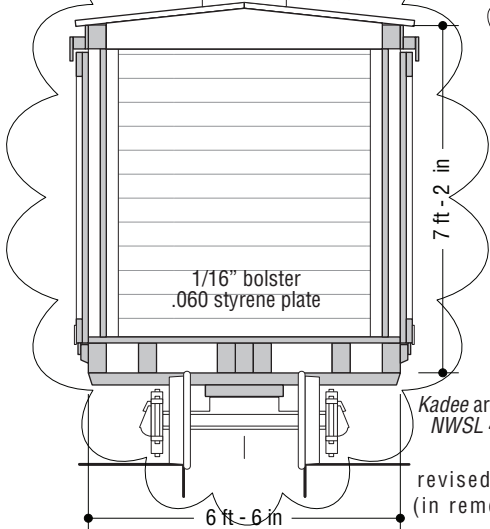
San Juan Evolution Couplers
w/ Kadee #807 pockets

© Richard L. Gardner • August 2011



Section at Queen Posts

21" roofwalk supports



Roof Plan

1/16" bolster
.060 styrene plate

Kadee archbar trucks
NWSL 40" wheels

revised 09/11/11
(in remembrance)

6 ft - 6 in

7 ft - 2 in

Sweet Haven Railroad 18'-0" O.F. Boxcar (revised 09/11/11)

scale 1/4" = 1'-0" (full size for On30)



Section at Bolster