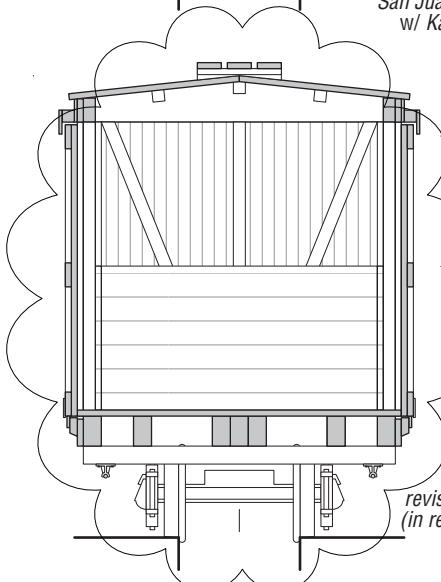


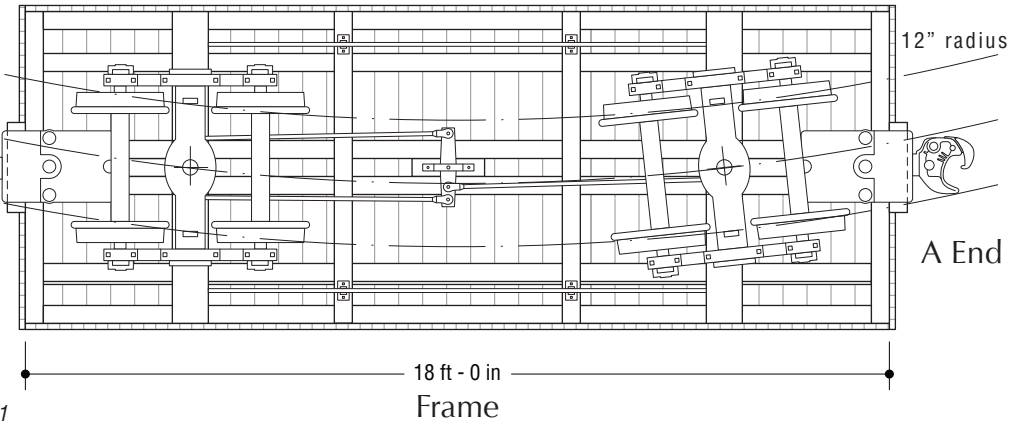
San Juan Evolution Couplers
w/ Kadee #807 pockets

© Richard L. Gardner • August 2011



Section at Queen Posts

revised 09/11/11
(in remembrance)

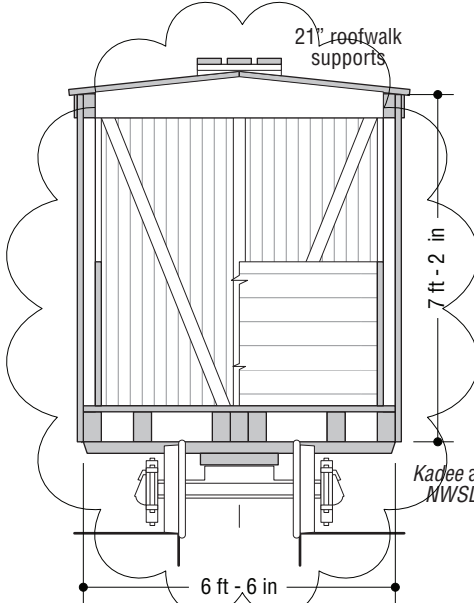


18 ft - 0 in
Frame

12" radius

B End

A End



Section at Bolster

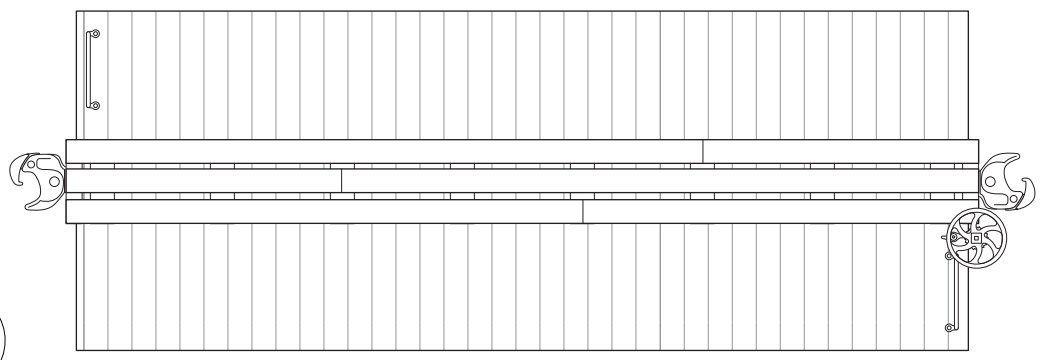
21" roofwalk
supports

7 ft - 2 in

6 ft - 6 in

Kadee archbar trucks
MWSL 40" wheels

revised 09/11/11
(in remembrance)



Roof Plan

Sweet Haven Railroad 18'-0" boxcar (revised 09/11/11)

scale 1/4" = 1'-0" (full size for On30)

