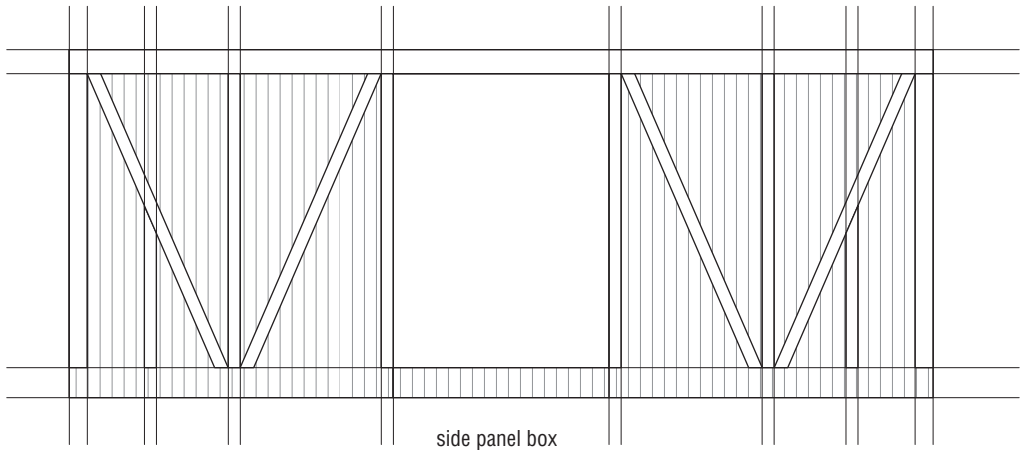
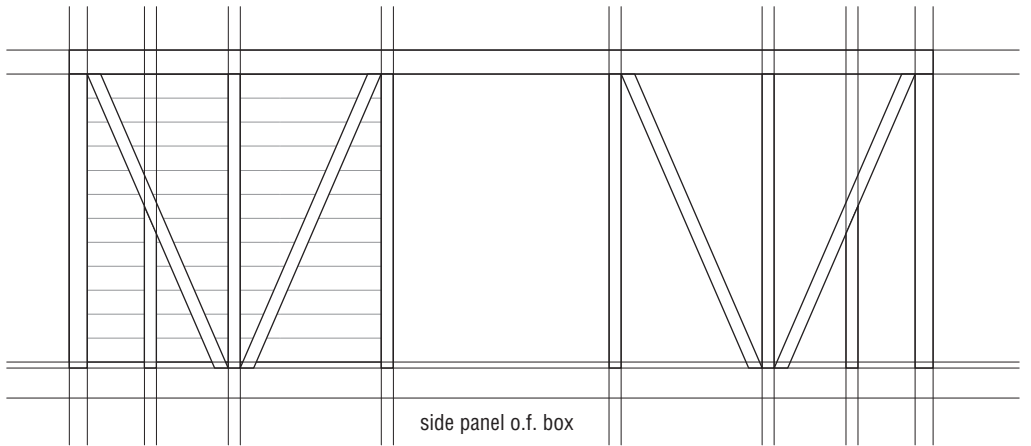


end panel box

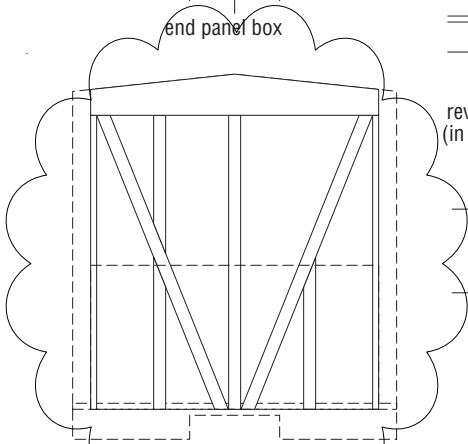


side panel box

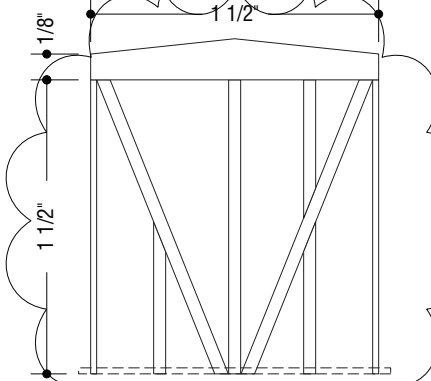


side panel o.f. box

revised 09/11/11
(in remembrance)

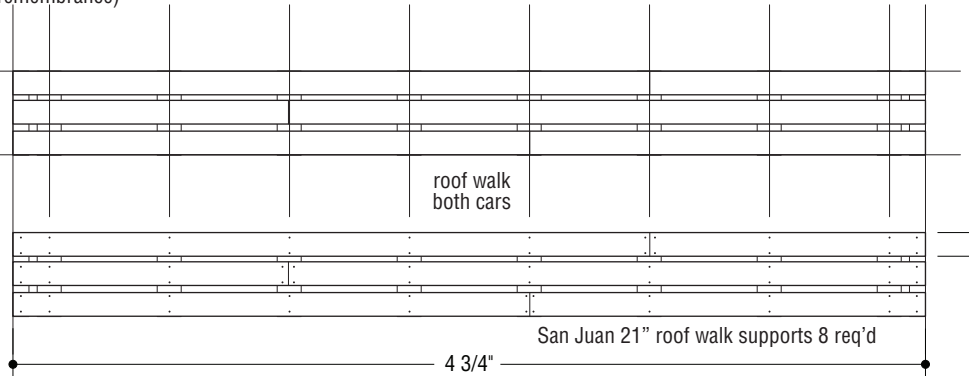


end frame box



end frame o.f. box

revised 09/11/11
(in remembrance)

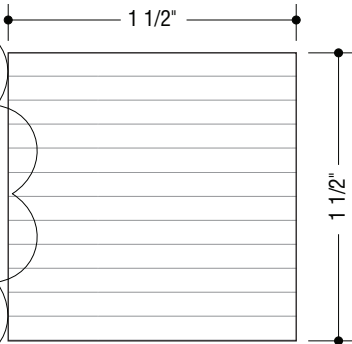


roof walk
both cars

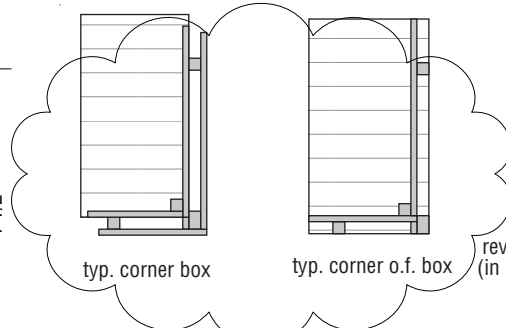
San Juan 21" roof walk supports 8 req'd

4 3/4"

1/8"



inside panel o.f. box
make 2



typ. corner box

typ. corner o.f. box

revised 09/11/11
(in remembrance)

Sweet Haven Railroad boxcar build addendum 1.1

scale 1/4" = 1'-0" (full size for On30)

